



KILLARK®

INSTALLATION, OPERATION & MAINTENANCE DATA SHEET

FOR
CERTILITE® V – VQ1F/VQ2F SERIES LUMINAIRES



CERTILITE® V – VQ1F/VQ2F SERIES LUMINAIRES

CAUTION:

Before installing, make sure you are compliant with area classifications, failure to do so may result in bodily injury, death and property damage. Do not attempt installation until you are familiar with the following procedures. All installation must comply with the applicable Electrical Code.

Make sure that the circuit is de-energized before starting installation or maintenance.

Verify that the installation is grounded. Failure to ground will create electrical shock hazards, which can cause serious injury and or death.

Technical information, advice and recommendations contained in these documents is based upon information that Killark believes to be reliable. All the information and advice contained in these documents is intended for use only by persons having been trained and possessing the requisite skill and know-how and to be used by such persons only at their own discretion and risk. The nature of these instructions is informative only and does not cover all of the details, variations or combinations in which this equipment may be used, its storage, delivery, installation, check out, safe operation and maintenance. Since conditions of use of the product are outside of the care, custody and control of Killark, the purchaser should determine the suitability of the product for his intended use, and assumes all risk and liability whatsoever in connection therewith.

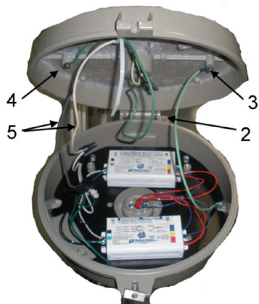
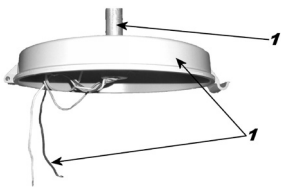
KILLARK®



3940 Dr. Martin Luther King Drive
St. Louis, MO 63113

P/N KIL00921361 FORM NO. K1361 ERO-6-17-03

Page 1 of 6



IMPORTANT:

1. Luminaire is to be energized in hazardous locations only after Ballast housing has been secured to Mount (Splice box) and Optics (Globe or Refractor) as indicated in this document.
2. Verify that luminaire is grounded. Failure to ground will create electrical shock hazards, which can cause serious injury and or death.
3. Refer to luminaire nameplate for supply voltage, ambient, supply wire, and other important data.
4. All unused conduit opening must be plugged. Pipe sealant may be applied to threads in plugs and securely tightened.

1. DIRECTION FOR INSTALLATION

1. Using the installation images on the left as your guide, make sure the splice box is securely installed. Pull the wires through the conduit and secure with cable tie in splice box. (Refer to Ballast housing nameplate for supply wire rating).
2. Hang the ballast housing on the splice box hinge hook.
3. Attach green (ground) lead from housing securely to the splice box (marked fixture ground) using grounding screw.
4. Attach supply ground lead (when provided) securely to the splice box (marked supply ground) using ground screw.
5. Ballast housing may have been provided with universal 120 thru 277 volt or multi-tap voltage ballast. Select the applicable voltage and common leads from ballast housing and connect them to the appropriate leads from power supply using the wire nuts provided. **NOTE:** Make sure all unused leads are capped off. Keep all wires bundled in cable tie away from ballast.
6. Close the tank against the splice box latch and secure by tightening cylindrical nut and screw. **NOTE:** Before closing ballast housing against splice box, inspect the ballast housing gasket to be sure it is clean and free of any cuts or abrasions. Make sure no leads are pinched and the gasket is uniformly compressed.
7. See label on housing to install proper type of lamp.
8. Install the optics (Globe, Refractor or Enclosed Reflector) and Guard, if desired.
9. Activate supplying circuit to test the assembled luminaire.

**SEE PG. 6 FOR KEMLUX III KH SERIES
LUMINAIRE COMPONENT DIAGRAM**

KILLARK® **Chalmit**

Victor
Lighting

Vantage
Technology

RIG POWER

HAWKE
International

3940 Dr. Martin Luther King Drive
St. Louis, MO 63113

P/N KIL00921361 FORM NO. K1361 ERO-6-17-03

Page 2 of 6

Mount (Splice Box) Installation:

Pendant/Flex Pendant/Cone/ Angle Stanchion (25°)
Straight Stanchion (90°)

Figure A

1. Thread the Mount onto existing conduit and secure with the setscrew provided with the Mount.
2. Pull the supply wire, with the proper temperature rating as specified in the ballast housing to be installed, into the mount.
VMA2B/VMA3B/VMF2B/VMF3B/VMS4B/
VMS5B/VMD4B/VMD5B/VMC2B/VMC3B.

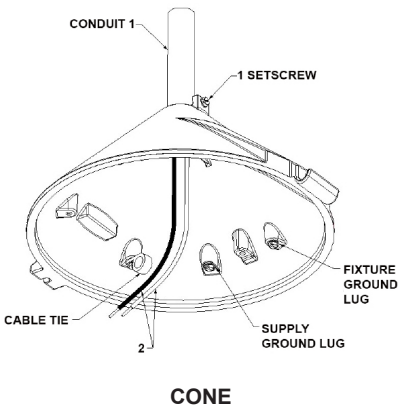
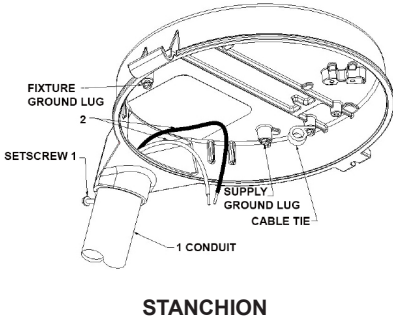
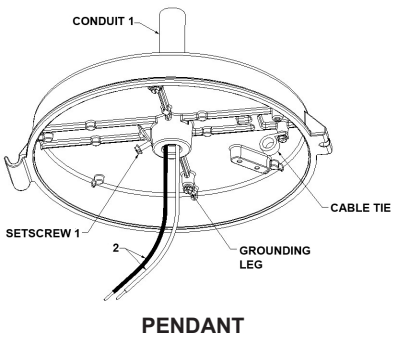
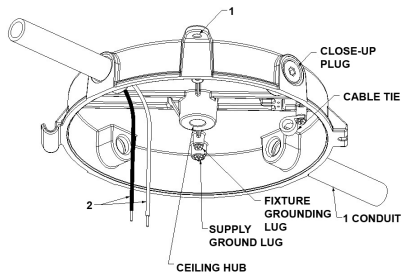


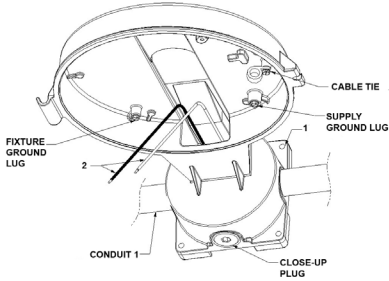
Figure A

Ceiling/ Wall Bracket

Figure B



CEILING

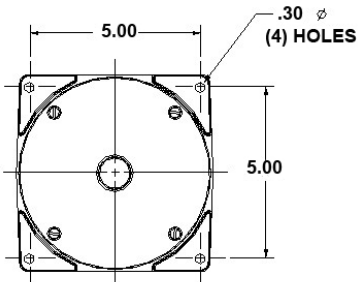


1. Mount Ceiling Splice Box using external mounting lugs on 12 7/8" centers. Use 1/4" or 5/16" diameter bolts. Thread conduit onto hubs to be used and tightened.

Mount Wall Bracket Splice Box to the wall using four holes provided with 5" sq. pattern. Use 1/4" diameter bolts.

CAUTION: All unused hubs must be plugged with close-up plugs provided.

2. Pull the supply wire, with the proper temperature rating as specified in the ballast housing to be installed, into the mount. VMX2B/VMX3B/VMX6B/VMX7B/VMB2B/VMB3B



VMB WALL MOUNT DRILL PATTERN

WALL BRACKET

Figure B

OPTIONS

Photo control switch (Suitable for Class I Div. 2 Hazardous location Applications). These devices can be mounted in the mounts. Location of Photo Control switch is marked in the castings. Refer to Photo Control installation instruction sheet K1261 for details.

Fuse Kits (Suitable for Class I Div. 2 and Class II Hazardous Applications).

1. Assemble fuse holder(s) in the boss of the castings at marked assigned location(s) in the mount.
2. Fasten fuse holder(s) in casting using self-threading screw(s) provided with kit.
3. Attach Supply line and Common leads to one side of fuse holder(s) and ballast line and Common leads from fixture to opposite side. Refer to the wiring diagram in **Figure C** for your guidance.
4. Install appropriate fuses as provided.

NOTE: Join or "lap" marks may form during the pouring of molten glass in the globe manufacturing process. It is not unusual for these marks to become visible. This is a common and normal occurrence for globes and does not affect performance.

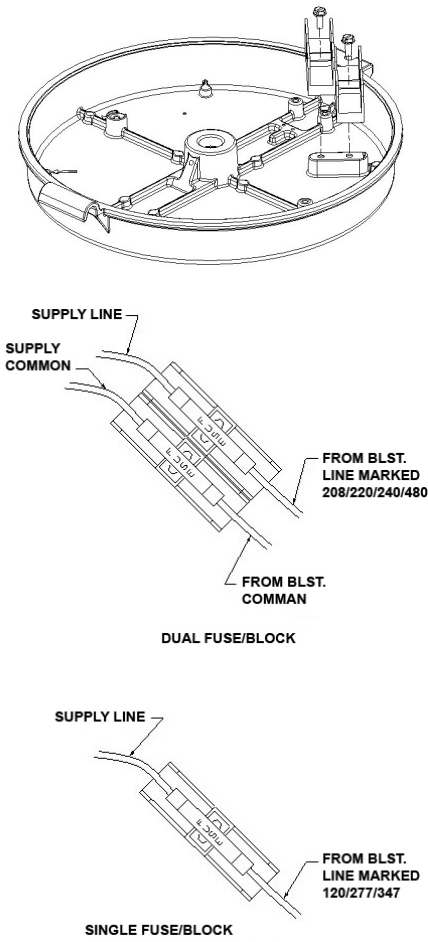


Figure C
(Typical mount with fuse options)

KILLARK®

Chalmit

Victor
Lighting

Vantage
Technology

RIG POWER

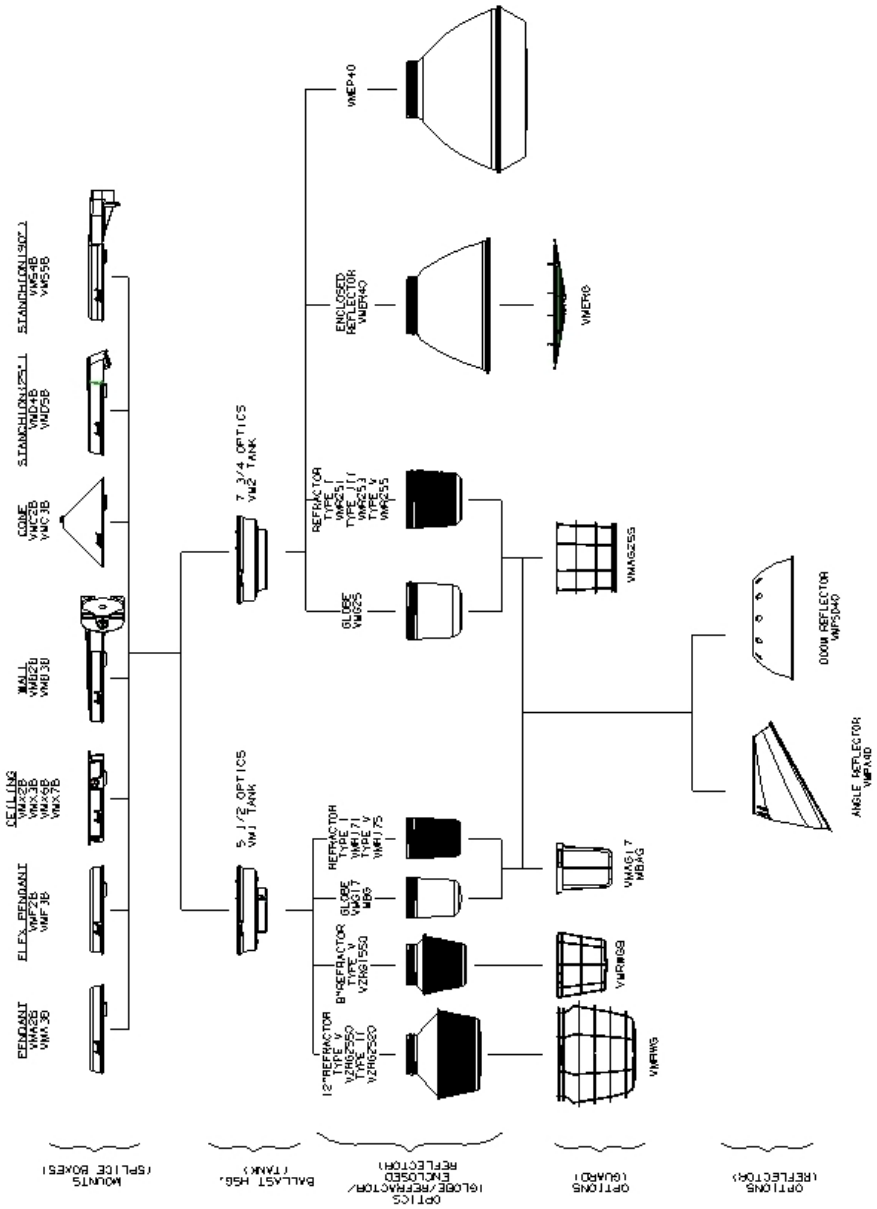
HAWKE
International

3940 Dr. Martin Luther King Drive
St. Louis, MO 63113

P/N KIL00921361 FORM NO. K1361 ERO-6-17-03

Page 5 of 6

VQ1F AND VQ2F CERTILITE V SERIES LUMINAIRE COMPONENTS



3940 Dr. Martin Luther King Drive
St. Louis, MO 63113